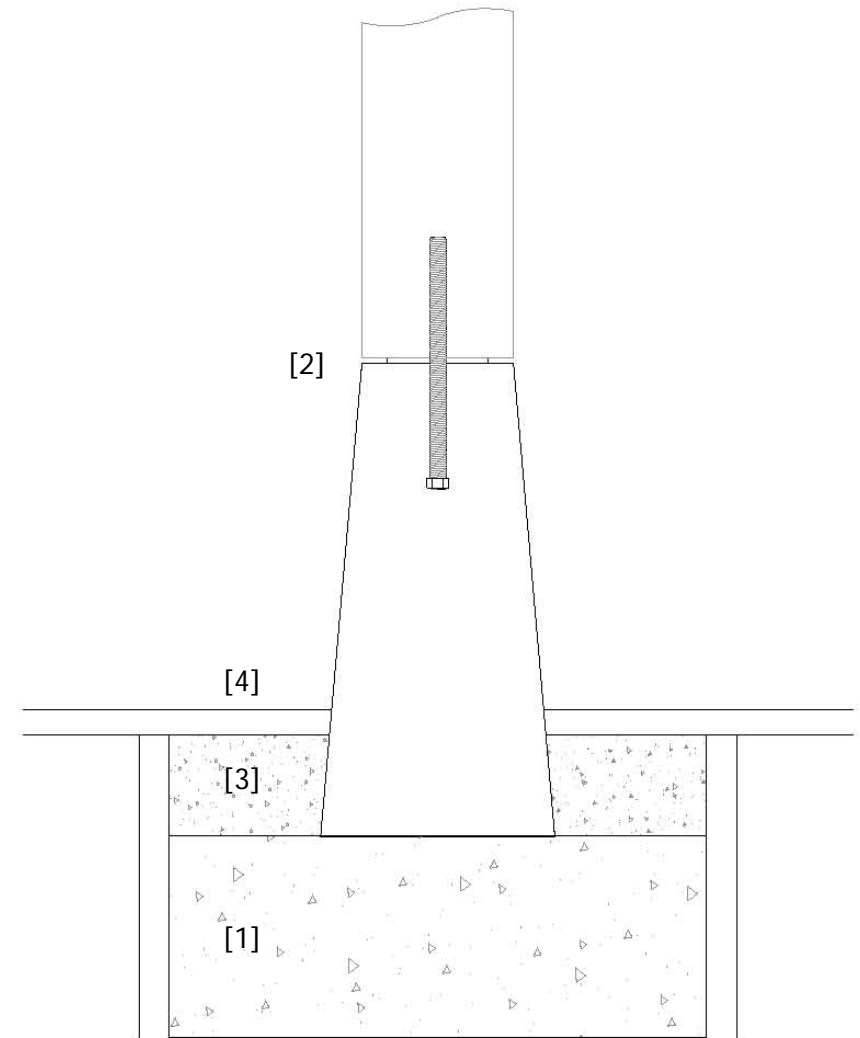


Typical Installation Guide

- **Dig hole** 300mm wider than base of pier.
Depth dependent upon pier loading and ground condition.
- **Preliminary cast** [1]; pour concrete into base of hole and allow to cure.
Shutter if necessary
Mix of concrete and depth of hole dependent upon pier loading.
- **Position pier** on cast pad.
- **Drill hole** in base of post/beam and **locate onto pier** [2].
- When layout is complete, **cast secondary layer** [3] locking pier into final position.
- Cover with **finishing surface** [4].



For illustrative purposes only

These piers must be used in accordance with specification and a structural engineer should be consulted for precise load bearing and wind lift requirements.

Five Degree Piers Limited

Deanburn Cottage, Hayford
Buckfastleigh, Devon, TQ11 0JQ

01364 644256

info@fivedegreepiers.co.uk
www.fivedegreepiers.co.uk